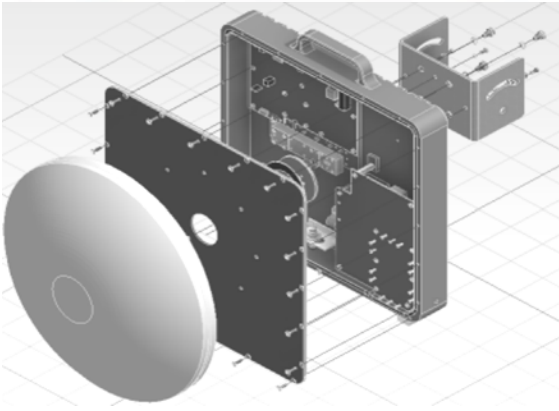


MECHANICAL DESIGN



Fidus – an excellent choice

At Fidus Systems, we understand the unique challenges faced by technology companies – too many projects and too few engineering resources. With top engineering talent, multiple design centers and on-site staffing options, Fidus provides highly responsive engineering teams that are an extension of your development team to successfully bring products to market faster.

Recognized as a trusted design partner, Fidus is dedicated to meeting customer expectations, and developing long-term relationships with clients built on integrity, quality and open communications.

Fidus is pleased to provide customers with full end-to-end development solutions or more selective targeted engagements.

Fidus has delivered more than 1500 projects for 300+ clients, from Tier-1 multinationals to SMEs to start-ups. Fidus is headquartered in Ottawa, Canada with local design centers in Kitchener-Waterloo and San Jose.

How we help

Do you want to: Increase your **revenue**? Reduce your **costs**? Increase your **speed** and **flexibility**? Focus on your **core competency**? Consider Fidus for electronic product development and consulting services.

Fidus offers specialized mechanical design capabilities directed at electronic product enclosures (indoors and outdoors!), board level thermal analysis, and structural finite element analysis. With early prototype CNC and 3D printing capabilities, Fidus can usually assess fit in-house.

Our mechanical design team's skills are readily complemented by Fidus' Hardware, Wireless, PCB Layout, Signal Integrity, FPGA/DSP, and Embedded Software expertise.

Design Expertise

Materials: Plastics, metals, resins, etc.

Processes: Injection molding, bent metal, machining, casting, extruding

Environments: Indoor, outdoor, pole mount, marine

Thermal CFD/FEA: Convective and conductive solutions for steady state or time dependent thermal challenges

Structural FEA: Designing for strength and minimal weight

Circuit Board Modeling: Bidirectional seamless integration between PCB

Layout and Mechanical CAD using bidirectional IDF translator

EMC Enclosures: Designs for both CISPR and FCC compliance (conducted and emitted)

Concept-to-Production: Process knowledge and strategies to support customers from concept to prototype to volume

Cabling/Connectorization: Ingress/egress for harsh environments

Marketing Collateral: Photo real concept images

Tools for high-end development

SolidWorks®: 3D system design of electromechanical parts and assemblies, motion studies of complex linkages and moving parts, and cable routing

SolidWorks® Simulation: For thermal FEA, structural FEA, mechanisms and moving parts, and computational fluid dynamics

CircuitWorks™: A bidirectional ECAD translator that facilitates PCB import into the Mechanical CAD system for modeling, interference checking, and documentation

Autodesk Inventor®: 3D system design of electromechanical parts and assemblies, motion studies of complex linkages and moving parts, and cable routing

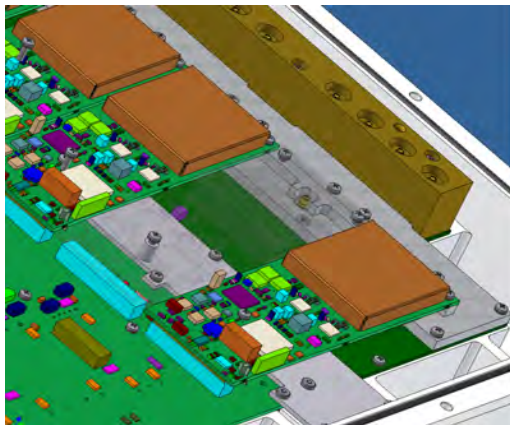
Experience completing mechanical designs utilizing Pro/ENGINEER®



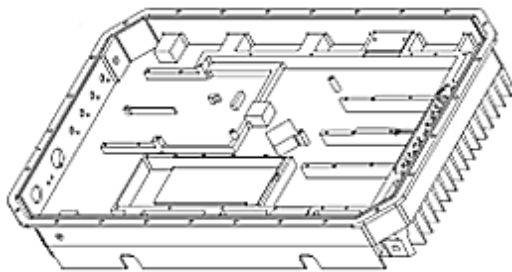
ALLIANCE PROGRAM
PREMIER MEMBER

Bringing you Xilinx premier

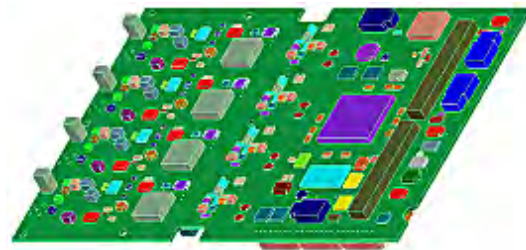
As Xilinx Premier, Fidus receives exclusive training, certification, and early-access to tools, IP, and new silicon. By invitation, Fidus was *the* inaugural Xilinx Premier Design Services member in North America. So what does this mean? It means that when you hire Fidus, you know that Fidus is on the forefront of Xilinx's roadmap, experienced in the most advanced tool flows, and is top of mind within the Xilinx support network.



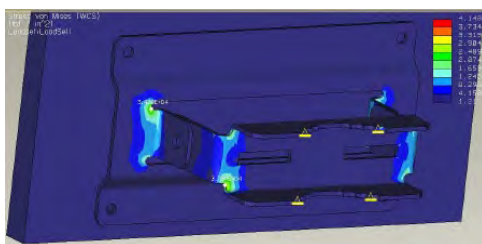
Examples of our work



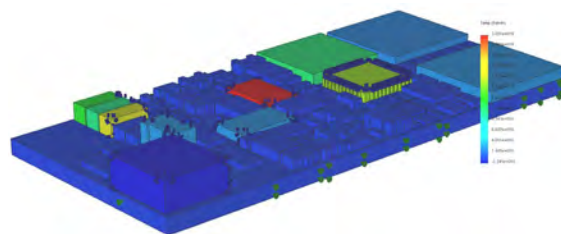
Indoor / outdoor chassis design



CCA modeling and interference checking



Structural FEA



Board level thermal simulations and solutions

About Fidus

Fidus Systems, founded in 2001, specializes in leading-edge electronic product development with offices in Ottawa and Waterloo Ontario, and San Jose, California. Our hardware, software, FPGA and signal integrity teams architect, design and deliver next-generation products for clients in emerging technology markets. We build long-term relationships by consistently exceeding expectations.

Ottawa • **Waterloo** • **San Jose**

fidus.com



The Fidus name, the Fidus logo, Sidewinder-100 and Mantys are trademarks of Fidus Systems Inc. Other registered and unregistered trademarks are the property of their respective owners.

© Copyright 2019 Fidus Systems Incorporated. All rights reserved. Information subject to change without notice.

2018-10-25