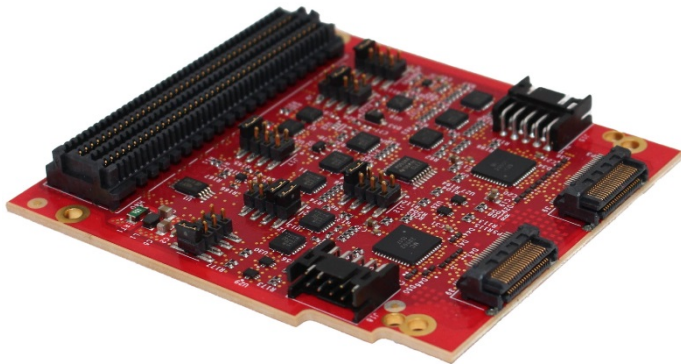


Two Port 4-Lane MIPI® FMC

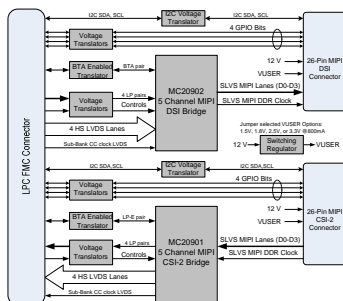
November, 2016

Available Now

This two port MIPI FMC helps you pick the right peripherals for your next mobile device



Function Block Diagram



Features

- Two independently clocked 4-lane SLVS MIPI ports on high density faceplate receptacles, identical pinouts
- Leading low-latency LVDS to SLVS translators
- Variants available
 - 4-lane CSI-2/DSI (Rx/Tx)
 - Dual CSI-2 (Rx/Rx)
 - Dual DSI/DSI (Tx/Tx)
 - Bypass (without onboard D-PHYs)
- Compatible with FMC Specification (VITA 57.1)
- Designed for electrical compatibility with inrevium TB- 7V-2000T-LSI (via TB-OP-FMCL adapter), Xilinx KC705, VC707, VC709, and KCU105 (UltraScale)
- Up to 1Gb/s per MIPI lane using HR I/Os in DDR mode (Xilinx® 7-series)

Product Outline

4-lane SLVS MIPI ports featuring:

- Meticom® MC20901 and MC20902 D-PHY™ Bridges
- MIPI speeds up to 2.5Gb/s (FPGA dependent)

FMC Connectors

- LPC FMC connector, GBTCLK and DP not used
- Voltage translators for the Bridge devices as well as I2C and GPIOs to the MIPI connectors
- Bank associated CC Clock lines associated with each 4-lane LVDS group from FMC host
- Clock strap option accommodates inrevium TB-OP-FMCL adapter bank clock routing

IO Connectors, Facilities

- Two SAMTEC LSHM series right-angle connectors
- Four GPIOs and I2C available on each MIPI port: GPIO and I2C voltage levels independently selectable
- 12V and USER power available on each connector
- USER voltage (common to both MIPI ports) jumper options: 1.5V, 1.8V, 2.5V and 3.3V, all at 800mA total
- Power status LEDs on board

Power Requirements

- 12V and 3.3V both at 500mA max.
- VADJ at 100mA max.

Board Dimensions

- Single width, air-cooled, LPC FMC, VITA 57.1 compatible

Image Sensor and Display Adapters

- Proprietary connectors are supported by adapters for different image sensors and displays. Standard adapters: Omnivision® OV13850 image sensors and AUO® B101UAN01.7 display.
- Custom adapters available upon request

Available References

Design Package (available under license)

- Schematics, PCB Layout, Artwork, Bill of Materials

FPGA Reference Designs

- Downloadable .bit file examples (VC707)
- Licensable IP (Northwest Logic MIPI Controllers)

For Inquiries or Orders: Email – products@us.inrevium.com

Part Number: TB-FMCL-MIPI (-2CSI, -2DSI, -BYPASS)
Adapter PNs: TB-OV13850-ADAPTER, TB-AUO101-ADAPTER